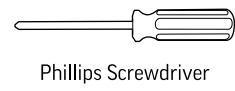




QUICK START

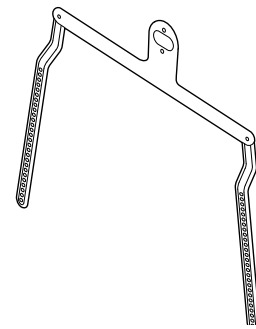
POLY STUDIO E70 DISPLAY MOUNT

TOOLS NEEDED



Phillips Screwdriver

CONTENTS



4mm L-Key Hex

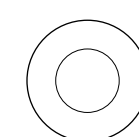


5mm L-Key Hex

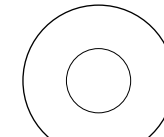
HARDWARE



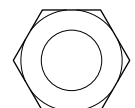
(2) M4 Flat Washer



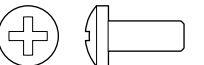
(4) M8 Flat Washer, 1.6mm thick



(10) M8 Washer, 5mm thick



(4) M8 Nut



(2) M4 x 10mm Screw



(2) M4 Lock Washer



(2) M6 Lock Washer



(2) M8 Lock Washer

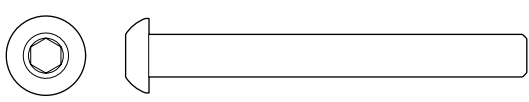


(2) M6 x 12mm Screw

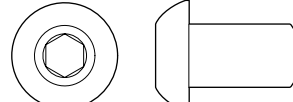


(2) M6 x 25mm Screw

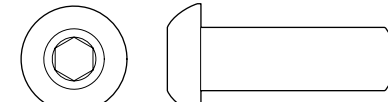
HARDWARE



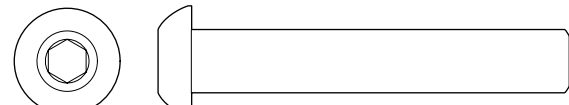
(2) M6 x 50mm Screw



(2) M8 x 15mm Screw



(2) M8 x 25mm Screw



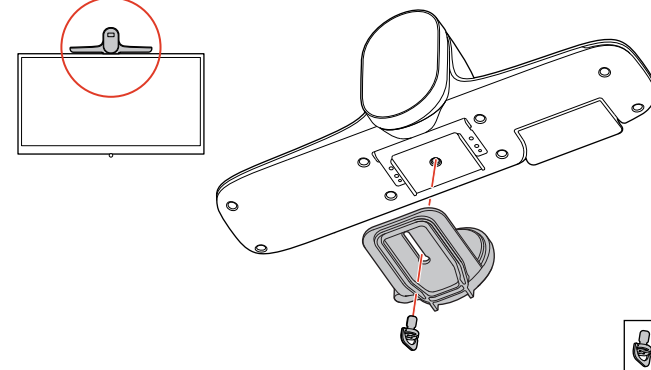
(2) M8 x 50mm Screw



(2) M8 Stud

1:1 Scale

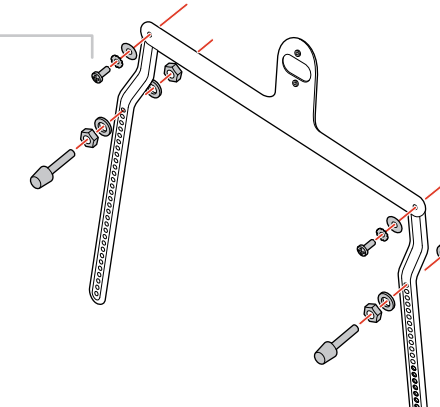
TOP MOUNT 1



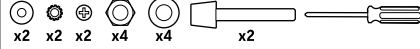
x1

TOP MOUNT 2

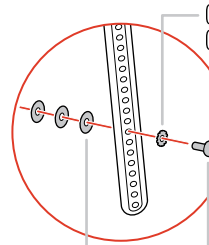
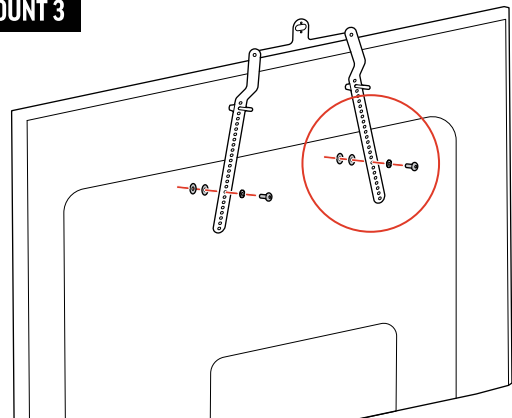
- (2) M4 Flat Washer
- (2) M4 Lock Washer
- (2) M4 x 10mm Screw



- (4) M8 Flat Washer, 1.6mm thick
- (4) M8 Nut
- (2) M8 Stud (top of display only)



TOP MOUNT 3

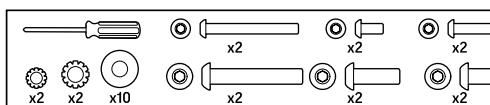


- (2) M8 Lock Washer or
- (2) M6 Lock Washer

Depending on your display

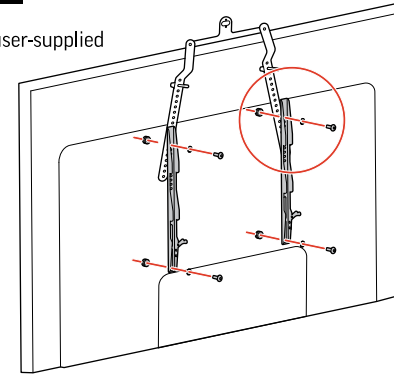
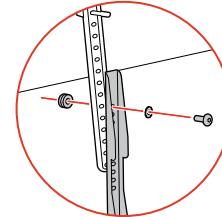
- (2) M8 x 50mm Screw or
- (2) M8 x 25mm Screw or
- (2) M8 x 15mm Screw or
- (2) M6 x 50mm Screw or
- (2) M6 x 25mm Screw or
- (2) M6 x 12mm Screw

(2-10) M8 Washer, 5mm thick

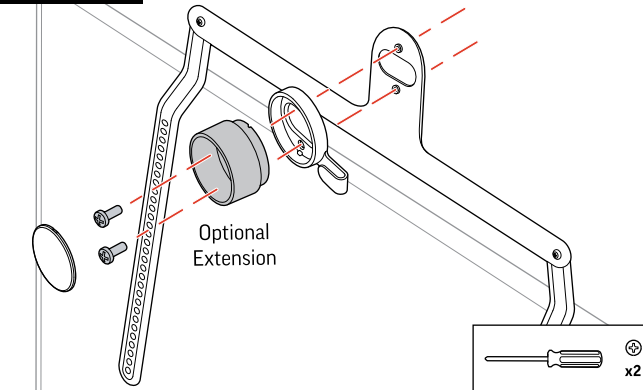


TOP MOUNT 3 OPTIONAL

Optional assembly with user-supplied display mount



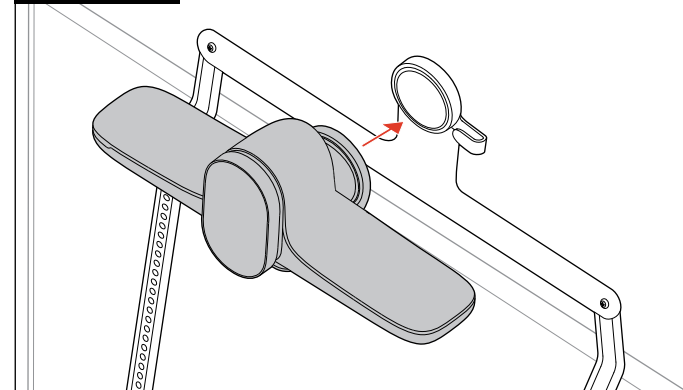
TOP MOUNT 4



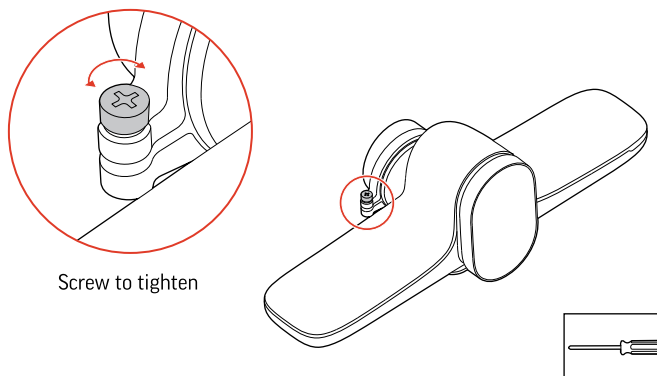
Optional Extension

x2

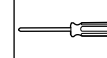
TOP MOUNT 5



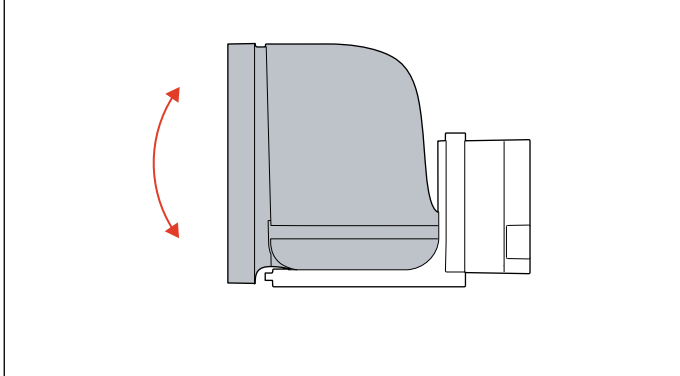
TOP MOUNT 6



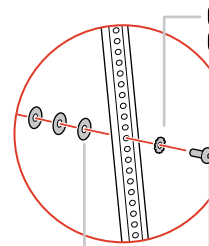
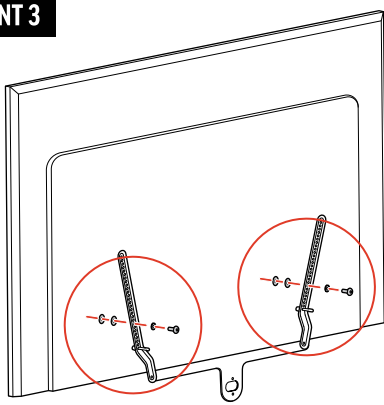
Screw to tighten



TOP MOUNT 7



BOTTOM MOUNT 3

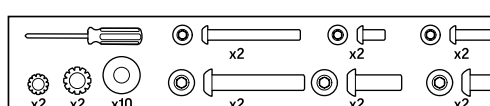


- (2) M8 Lock Washer or
- (2) M6 Lock Washer

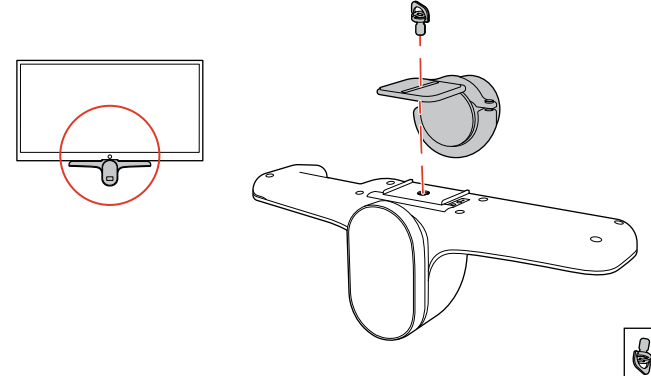
Depending on your display

- (2) M8 x 50mm Screw or
- (2) M8 x 25mm Screw or
- (2) M8 x 15mm Screw or
- (2) M6 x 50mm Screw or
- (2) M6 x 25mm Screw or
- (2) M6 x 12mm Screw

(2-10) M8 Washer, 5mm thick

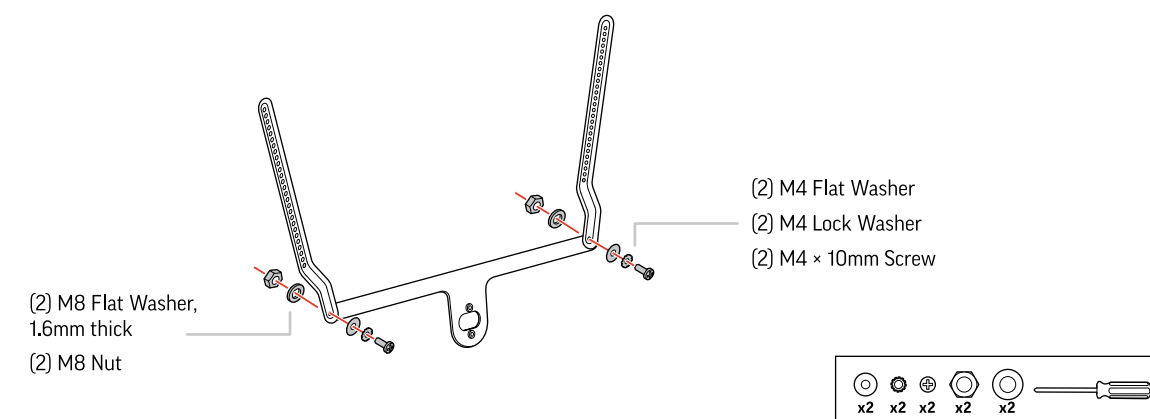


BOTTOM MOUNT 1



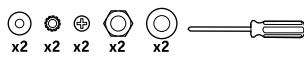
x1

BOTTOM MOUNT 2



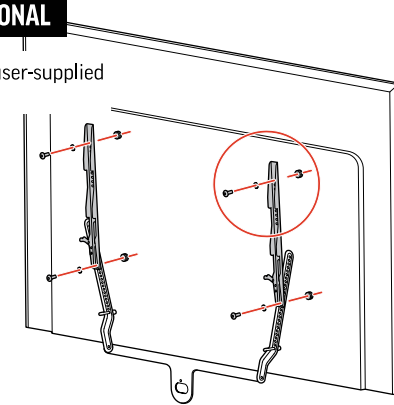
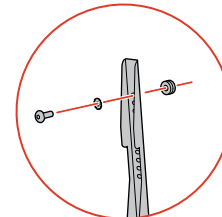
- (2) M8 Flat Washer, 1.6mm thick
- (2) M8 Nut

- (2) M4 Flat Washer
- (2) M4 Lock Washer
- (2) M4 x 10mm Screw

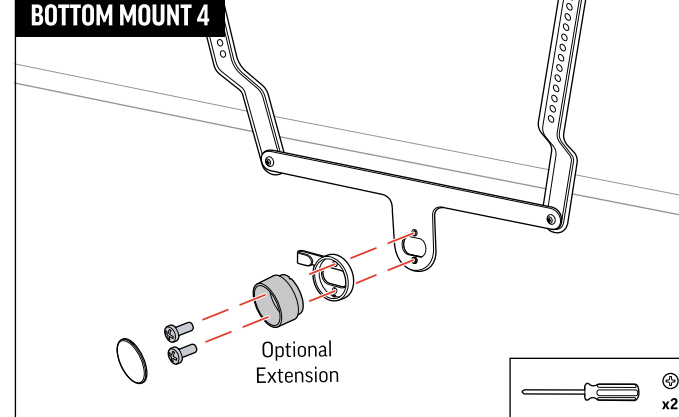


BOTTOM MOUNT 3 OPTIONAL

Optional assembly with user-supplied display mount



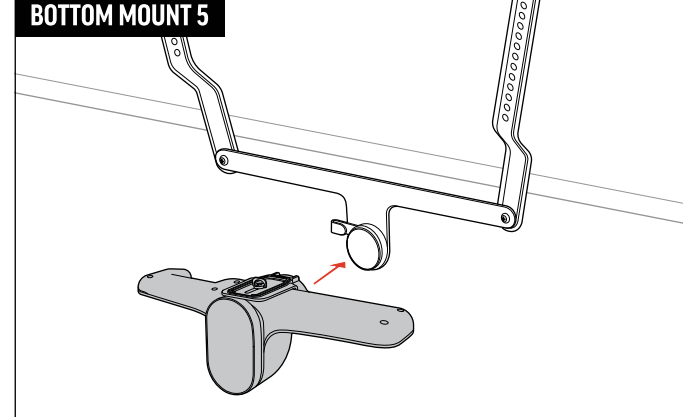
BOTTOM MOUNT 4



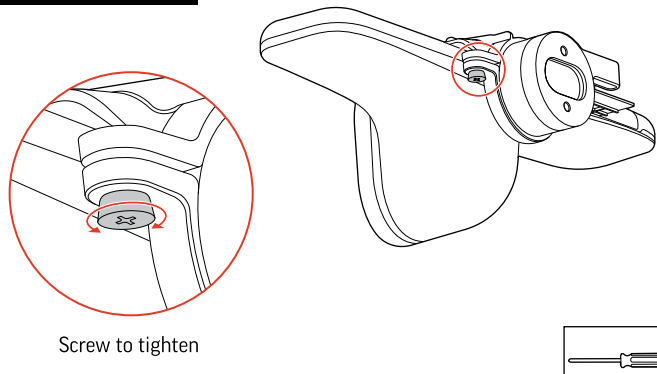
Optional Extension

x2

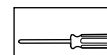
BOTTOM MOUNT 5



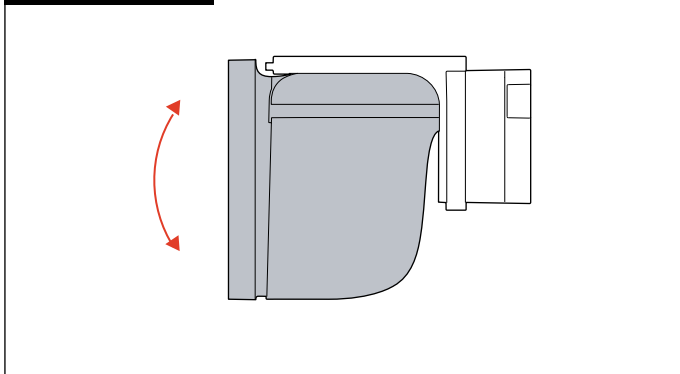
BOTTOM MOUNT 6



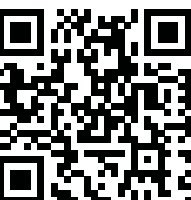
Screw to tighten



BOTTOM MOUNT 7



poly.com/setup/studio-e70



© 2023 Poly. All trademarks are the property of their respective owners.



Recyclable where facilities exist



1725-87233-0010_04.23