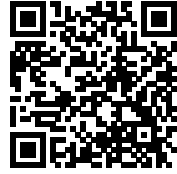




QUICK START

POLY STUDIO X52
VESA MOUNT



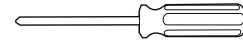
poly.com/support/studio-x52/vm

MANAGEMENT SOFTWARE

POLY LENS

poly.com/lens

TOOL



CONTENTS



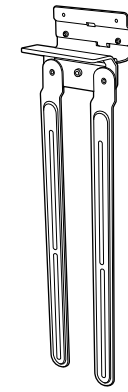
(6) Tie Wrap



5 mm L-Key Hex



4 mm L-Key Hex



Poly Studio X52
VESA Mount

HARDWARE



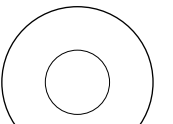
(2) M4 x 8 mm Screw



(2) M6 x 25 mm Screw



(2) M8 x 25 mm Screw



(10) M8 Washer, 5 mm thick



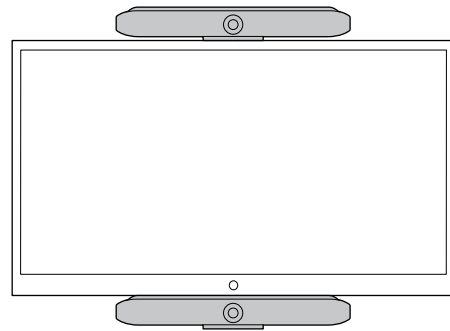
(2) M6 x 50 mm Screw



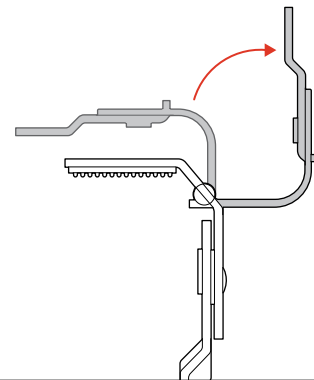
(2) M8 x 50 mm Screw

1:1 Scale

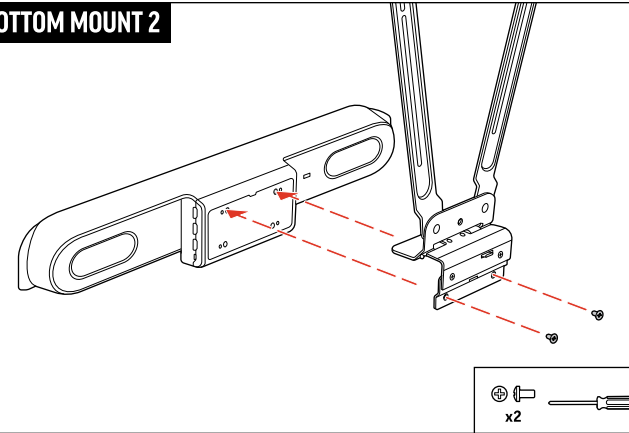
MOUNTING OPTIONS



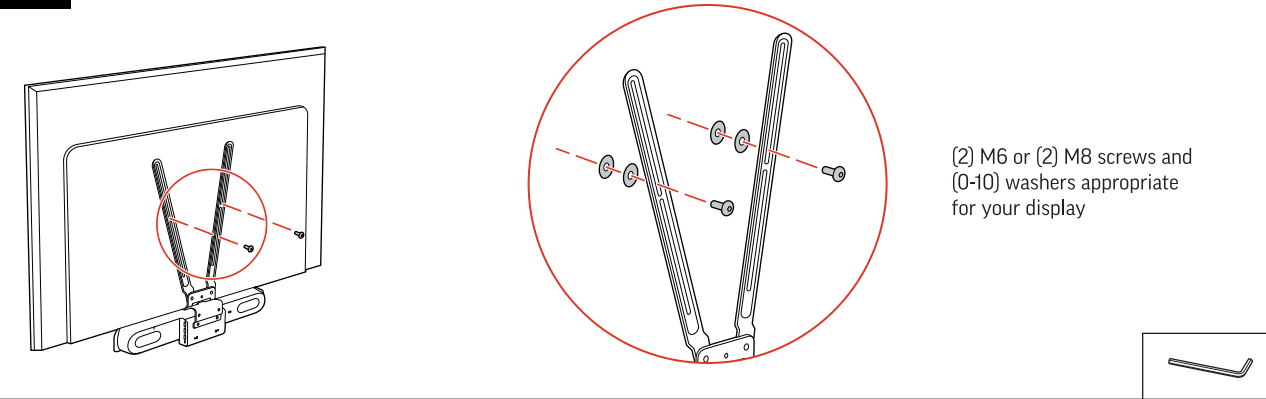
BOTTOM MOUNT 1



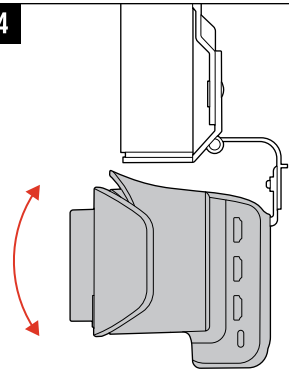
BOTTOM MOUNT 2



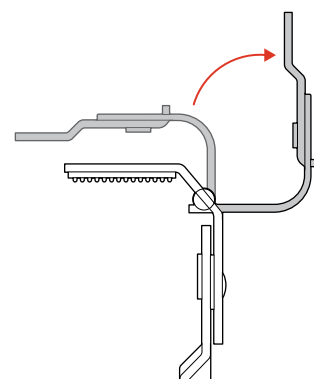
BOTTOM MOUNT 3



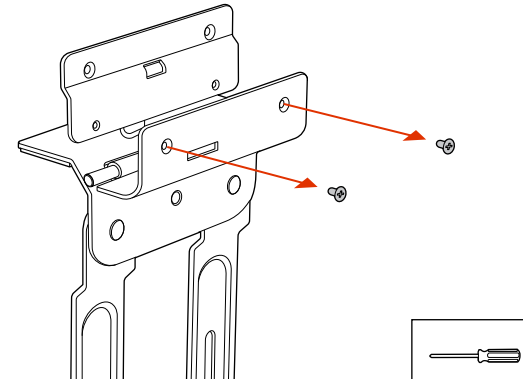
BOTTOM MOUNT 4



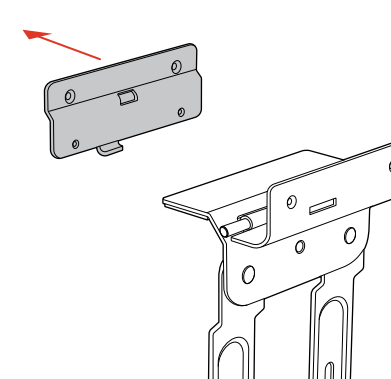
TOP MOUNT 1



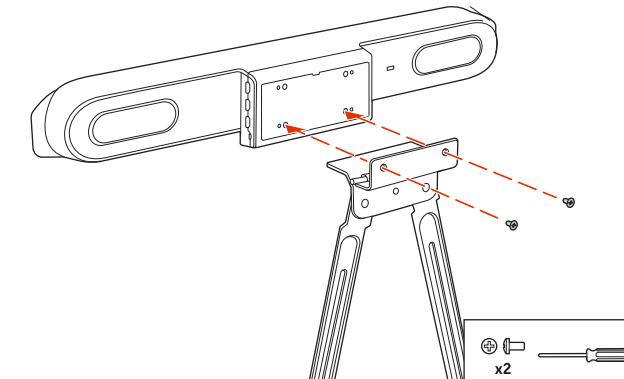
TOP MOUNT 2



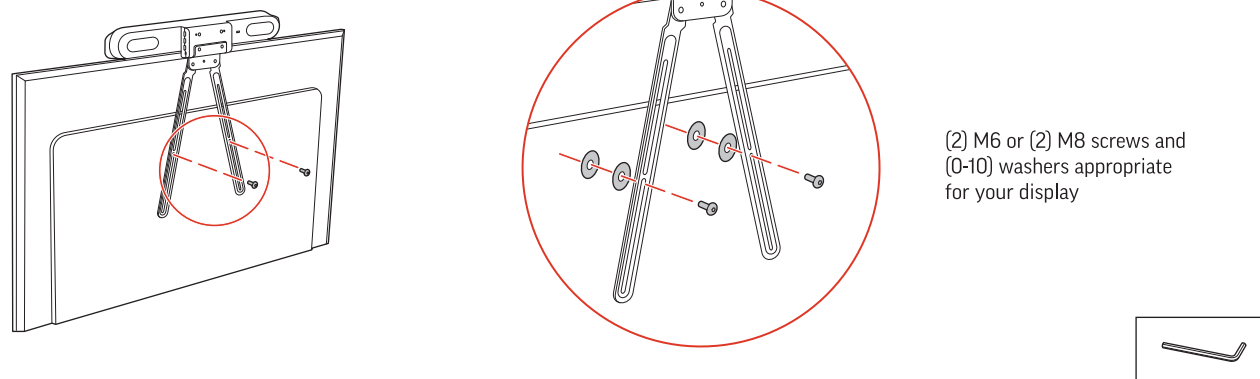
TOP MOUNT 3



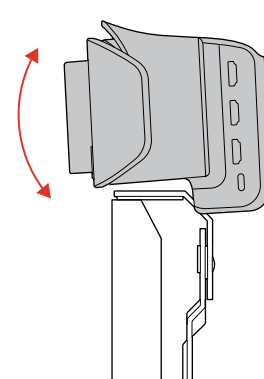
TOP MOUNT 4



TOP MOUNT 5



TOP MOUNT 6



www.poly.com/support/studio-x52

Recyclable where facilities exist

© 2022 Poly. All trademarks are the property of their respective owners.



1725-87992-001B 11.22
Studio X52 Model P033