



QUICK START

POLY STUDIO X52 WITH DISPLAY CLAMP



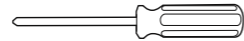
poly.com/support/studio-x52/dc

MANAGEMENT SOFTWARE

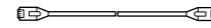
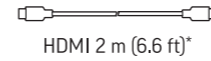
POLY LENS

poly.com/lens

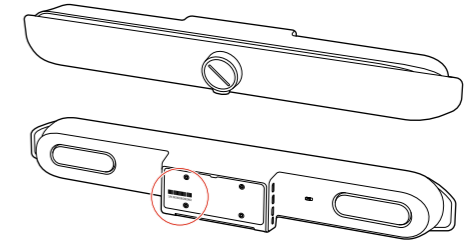
TOOL



CONTENTS



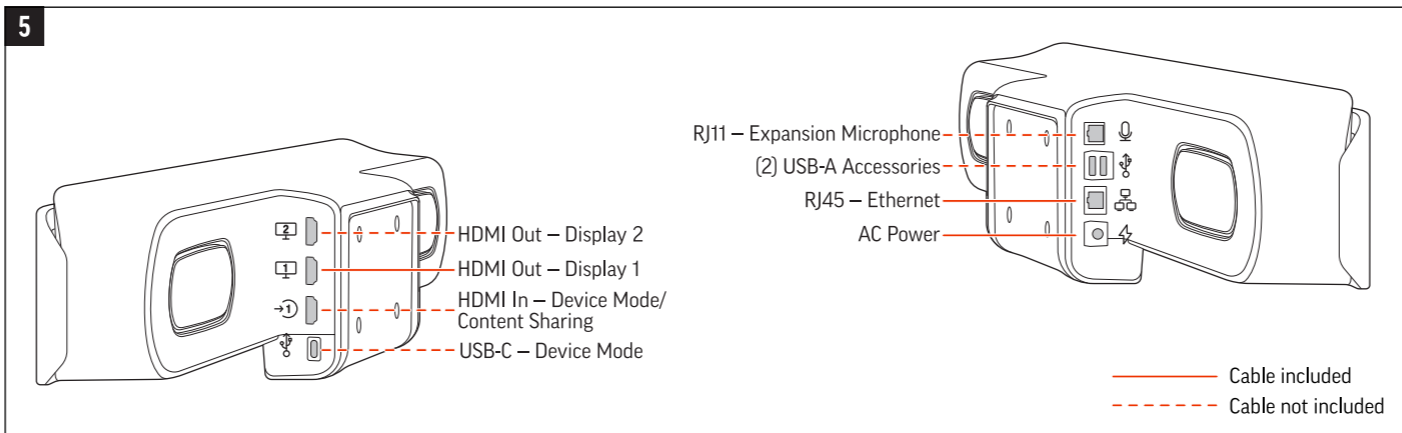
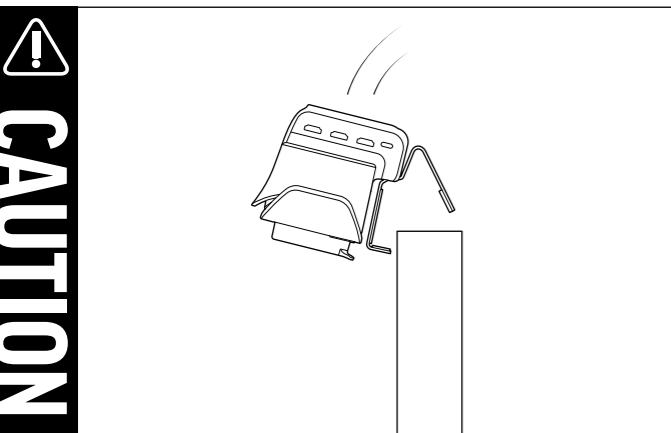
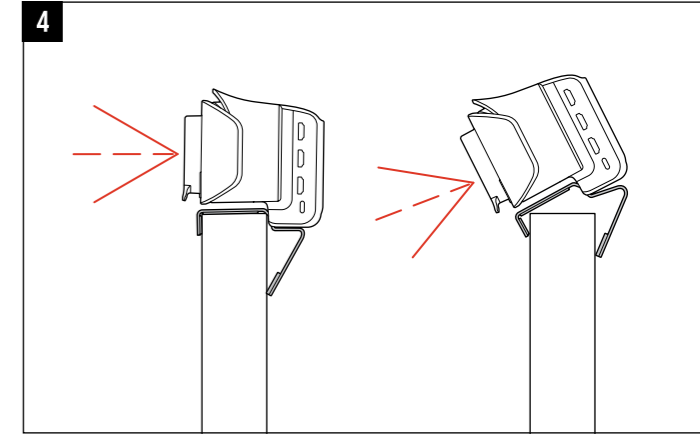
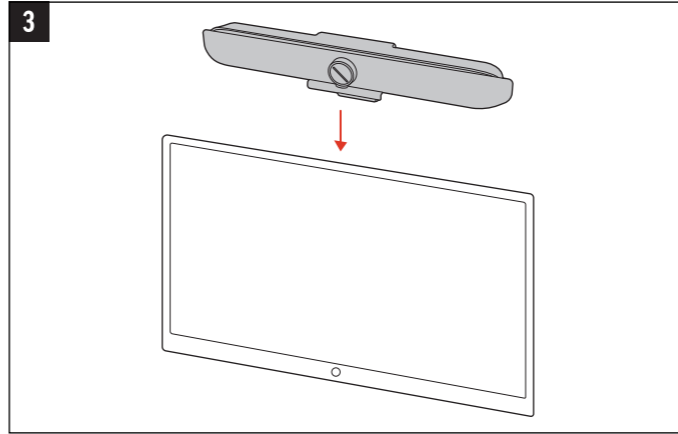
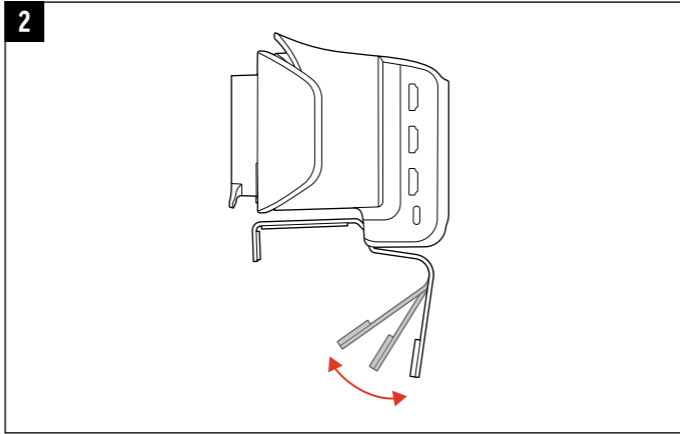
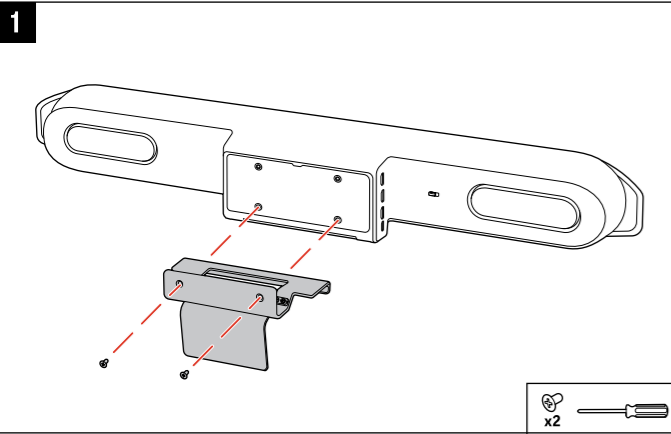
Display Clamp



Poly Studio X52 and Power Supply*



*Not supplied in the Studio X52 Display Clamp Accessory Kit



poly.com/support/studio-x52

Recyclable where facilities exist

Frequency and transmit power for radio-enabled products only:
Frequency Range Maximum Transmit Power
2.412GHz - 2.462GHz 19.41 dBm e.i.r.p
5.180GHz - 5.725GHz 20.19 dBm e.i.r.p

© 2023 Poly. All trademarks are the property of their respective owners.



1725-87989-001C 02.23
Studio X52 Model P033